



# Logging en BEA WebLogic 8.1

---

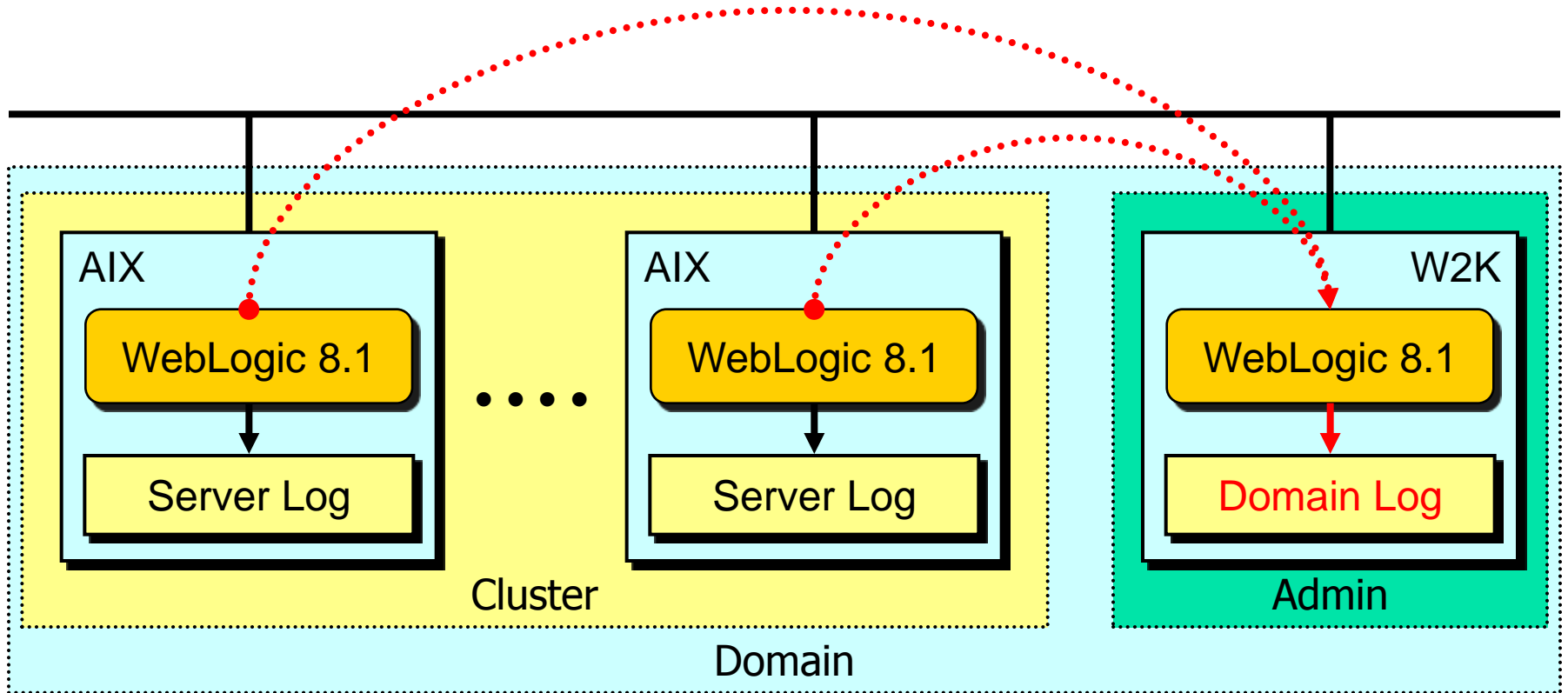
Eduardo Ostertag Jenkins, Ph.D.  
OBCOM INGENIERIA S.A. (Chile)  
[Eduardo.Ostertag@obcom.cl](mailto:Eduardo.Ostertag@obcom.cl)

# Temario de la charla

---

- Logging estándar de WebLogic
  - Configurar Server Logging
  - Configurar Domain Logging
  - Definir filtros para el Domain Log
  - Aplicar un filtro al Domain Log
- Generar mensajes desde Java
- Filtrar mensajes info para debug
  - Habilitar y deshabilitar mensajes
  - Ejemplo de aplicación filtrada
  - Instalar filtro de mensajes info

# Logging estándar de WebLogic



# Configurar Server Logging

WebLogic Server Console - Windows Internet Explorer

http://localhost:7001/console/actions/mbean/MBeanFramesetAction?bodyFrameId=wl\_console\_frame\_

WorkshopORA> Servers> AdminORA

Connected to : WorkshopORA | You are logged in as : weblogic | [Logout](#)

Configuration | Protocols | **Logging** | Monitoring | Control | Deployments | Services | Notes

Server | Domain | HTTP | JDBC | JTA

This page allows you to define the general logging settings for this server.

**Server File Name:**

The name of the file that stores this server's current log messages. If the pathname is not absolute, the path is assumed to be relative to the root directory of the machine on which this server is running.

**Log to Stdout**

Specifies whether the server should send messages to standard out (in addition to the log file).

**Debug to Stdout**

Specifies whether this server sends messages of `Debug` severity to standard out, in addition to sending them to the log file. (This field is relevant only if you check the Log to Stdout box.)

**Stdout Severity Threshold:**

The minimum severity of a message this server sends to standard out. (This field is relevant only if you check the Log to Stdout box.)

Miniaplicación navapplet started

Intranet local 100%

**Sólo Consola**

# Configurar Domain Logging

The screenshot shows the WebLogic Server Console in a Windows Internet Explorer browser. The address bar displays the URL: `http://localhost:7001/console/actions/mbean/MBeanFramesetAction?bodyFrameId=wl_console_frame_`. The browser tabs include "WebLogic Server Co...", "Logging Administration", and "Logging Test Application".

The console interface is titled "WorkshopORA" and shows the user is logged in as "weblogic". The left-hand navigation pane is expanded to show the "Console" tree, with "WorkshopORA" selected and highlighted by a red box. Under "WorkshopORA", the "Servers" folder is expanded, and the "Logging" tab is selected.

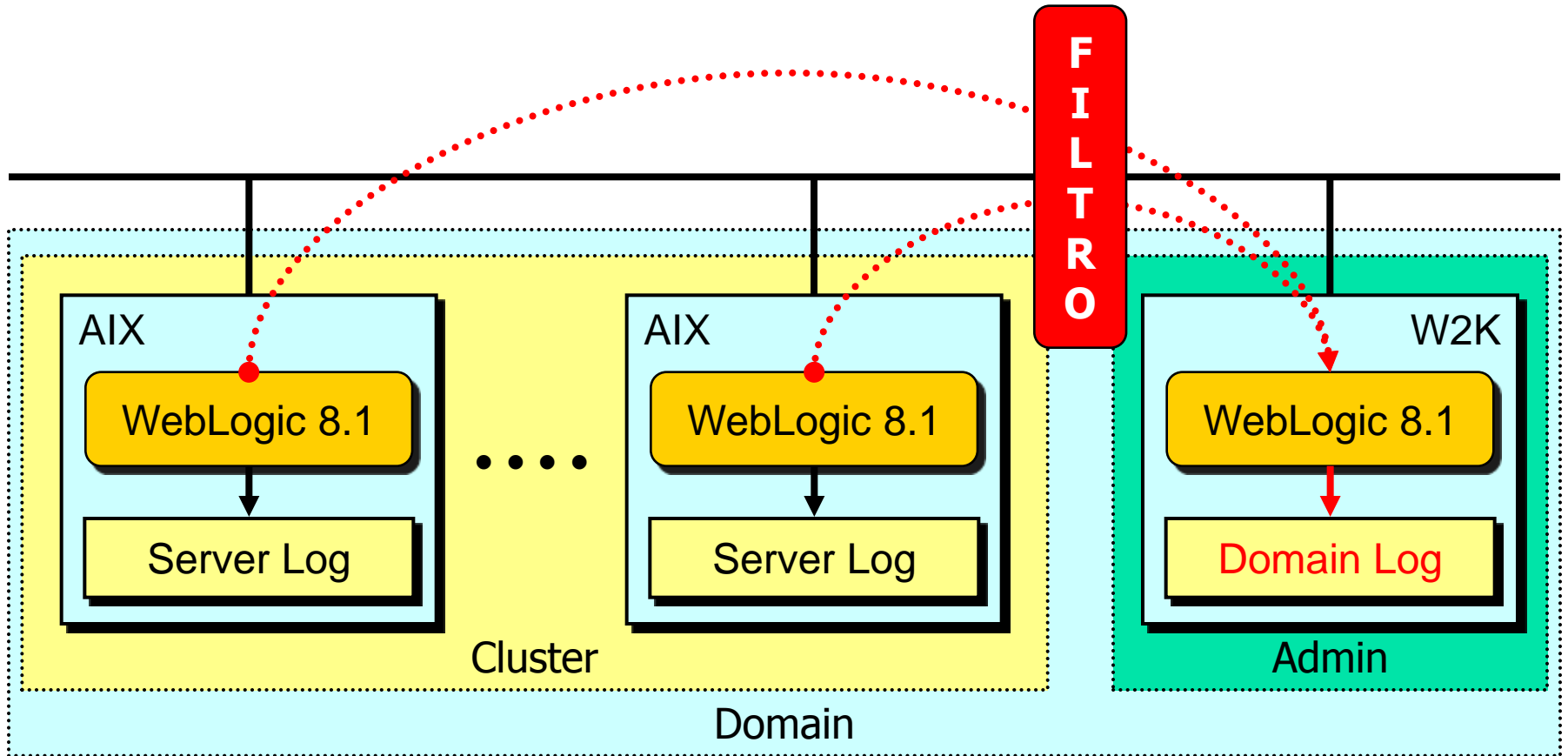
The main content area displays the "Logging" configuration page. It includes a navigation bar with tabs for "Configuration", "Monitoring", "Control", and "Notes". Below this, there are sub-tabs for "General", "JTA", "SNMP", "Logging", and "Applications". The "Logging" sub-tab is active.

The page contains the following text and configuration fields:

- Domain File Name:**  (highlighted with a red box).  
The name of the file that stores this WebLogic Server domain log's current log messages. If the pathname is not absolute, the path is assumed to be relative to the root directory of the machine on which the Administration Server is running.
- Rotation Type:**  (dropdown menu).
- Minimum File Size:**  k.

The page also includes a warning icon (yellow triangle) next to the "Domain File Name" label. The bottom of the browser window shows the address bar with `http://www.bea.com/` and the status bar with "Intranet local" and "100%".

# Filtrar el Domain Log



# Definir filtros para el Domain Log

The screenshot displays the WebLogic Server Console interface in a Windows Internet Explorer browser. The browser's address bar shows the URL: `http://localhost:7001/console/actions/mbean/MBeanFramesetAction?bodyFrameId=wl_console_frame_`. The console page title is "WorkshopORA > Domain Log Filters > TesoApps".

The left-hand navigation pane shows a tree structure with the following items: Console, WorkshopORA, Servers, Clusters, Machines, Deployments, Services, Security, Domain Log Filters (expanded), TesoApps (selected), and Tasks.

The main content area is titled "Configuration" and contains the following fields and options:

- Name:** A text input field containing "TesoApps".
- Severity Level:** A dropdown menu set to "Info".
- User IDs:** An empty text area.
- Subsystems:** A list of available subsystems: Application Poller, BugReporter, and CliCon-null. A "Chosen" list on the right contains "LoggingTestPF".

At the bottom of the console window, the status bar shows "Miniaplicación navapplet started" on the left and "Intranet local" and "100%" on the right.

# Aplicar un filtro al Domain Log

The screenshot shows the WebLogic Server Console in a Windows Internet Explorer browser. The address bar displays the URL: `http://localhost:7001/console/actions/mbean/MBeanFramesetAction?bodyFrameId=wl_console_frame_`. The browser tabs include "WebLogic Server Co...", "Logging Administration", and "Logging Test Application".

The console interface is titled "WorkshopORA > Servers > AdminORA". The left-hand navigation pane shows a tree structure with "AdminORA" selected and highlighted with a red box. Other items in the tree include "Console", "WorkshopORA", "Servers", "Clusters", "Machines", "Deployments", "Services", "Security", "Domain Log Filters", and "Tasks".

The main content area has a breadcrumb trail: "WorkshopORA > Servers > AdminORA". Below this, it shows the connection status: "Connected to : WorkshopORA | You are logged in as : weblogic | Logout".

The "Logging" tab is active, and the "Domain" sub-tab is selected. The page content includes:

- A heading: "This page allows you to define how this server interacts with the log file for the WebLogic Server domain."
- A checked checkbox:  **Log to Domain Log File**
- Text: "Specifies whether this server sends messages to the domain log file, in addition to keeping its own log file."
- A dropdown menu: "Use Log Filter:" with "TesoApps" selected and highlighted by a red box.
- Text: "Determines which messages this server sends to the domain log. If you specify none, this server sends all messages of severity ERROR and higher. This list contains all Domain Log Filters that have been defined for the domain. (This field is relevant only if you check the Log to Domain Log File box.)"
- An "Apply" button.

At the bottom of the console, there are links for "[View server log](#)" and "[View JNDI tree](#)".

The status bar at the bottom of the browser shows "Miniaplicación navapplet started" on the left and "Intranet local" and "100%" on the right.



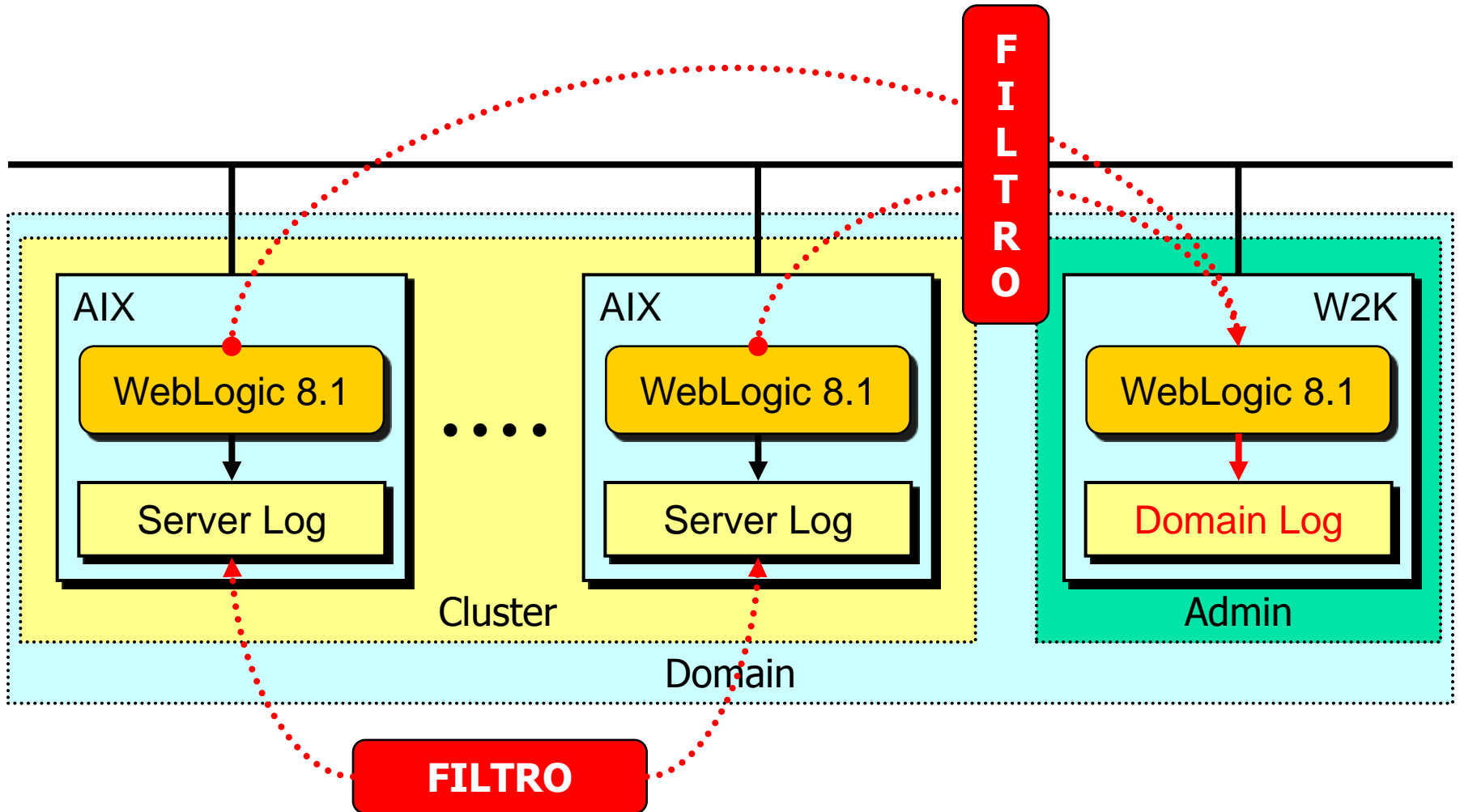
# Generar mensajes desde Java

```
import com.bea.wlw.netui.pageflow.*;
import weblogic.logging.NonCatalogLogger;

/**
 * @jpf:controller
 */
public class Controller extends PageFlowController
{
    private static final NonCatalogLogger logger =
        new NonCatalogLogger("LoggingTestPF");

    /**
     * @jpf:action
     * @jpf:forward name="success" path="index.jsp"
     */
    protected Forward genLogMessage()
    {
        logger.warning("Mensaje tipo 'warning'");
        logger.info("Mensaje tipo 'info'");
        logger.debug("Mensaje tipo 'debug'");
        return new Forward("success");
    }
}
```

# Filtrar mensajes info para debug



# Habilitar y deshabilitar mensajes

Logging Administration - Windows Internet Explorer

http://localhost:7001/LoggingAdminPF/disableLogger.do?loggerName=Banc

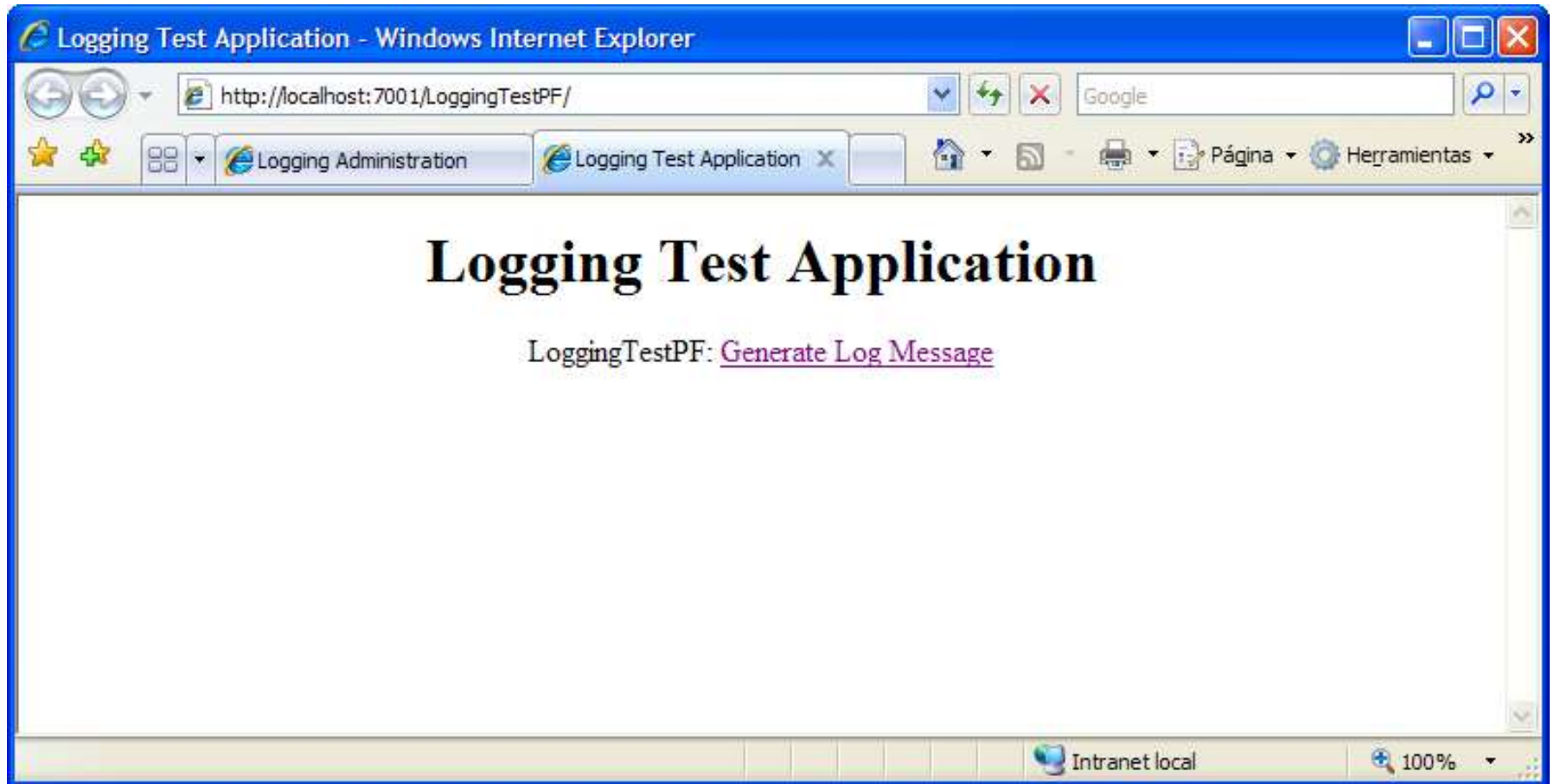
Initialize Logging Filter

Logger Name:

Enabled Loggers	Operations
LoggingTestPF	<a href="#">Disable</a>
PortalEAR	<a href="#">Disable</a>

Intranet local 100%

# Ejemplo de aplicación filtrada



# Instalar filtro de mensajes info

The screenshot shows the WebLogic Server Console in a Windows Internet Explorer browser. The address bar displays the URL: `http://localhost:7001/console/actions/mbean/MBeanFramesetAction?bodyFrameId=wl_console_frame_`. The page title is "WorkshopORA> Startup & Shutdown> obcom.logging.LoggingStartup". The left-hand navigation pane shows a tree structure with "obcom.loggir" selected under "Startup & Shutdown". The main content area has three tabs: "Configuration", "Target and Deploy", and "Notes". The "Configuration" tab is active, displaying the following information:

This page allows you to define the general configuration of this startup class.

**Name:** obcom.logging.LoggingStartup  
A name to represent this startup class in the Administration Console.

**ClassName:** obcom.logging.LoggingStartup  
The fully qualified name of this startup class.

**Deployment Order:** 1000  
A numerical value that indicates when WebLogic Server executes this startup class, relative to other startup classes. Classes with lower Deployment Order values are executed before those with higher values.

**Arguments:** [Empty text area]  
The arguments that the targeted server(s) use to initialize this startup class.

At the bottom of the browser window, the status bar shows "Miniaplicación navapplet started" on the left and "Intranet local" and "100%" on the right.

# Comentarios y sugerencias

---

- Usar sólo logging estándar de WebLogic
- Generar mensajes con NonCatalogLogger
  - No usar "System.out.println()" de Java!!
  - No usar "System.err.println()" de Java!!
  - No usar "exception.printStackTrace()"!!
- Habilitar mensajes info sólo para debug
- Filtrar Domain Log para unir mensajes info
- Filtrar Domain Log reduce flujo por la red

Muchas gracias

---

Muchas

Gracias